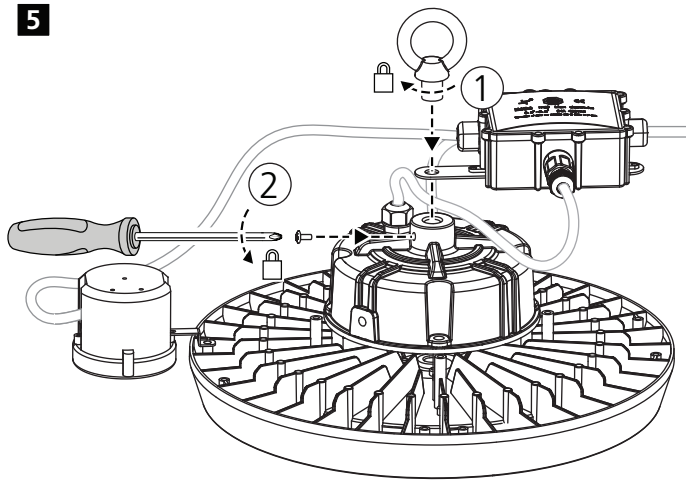
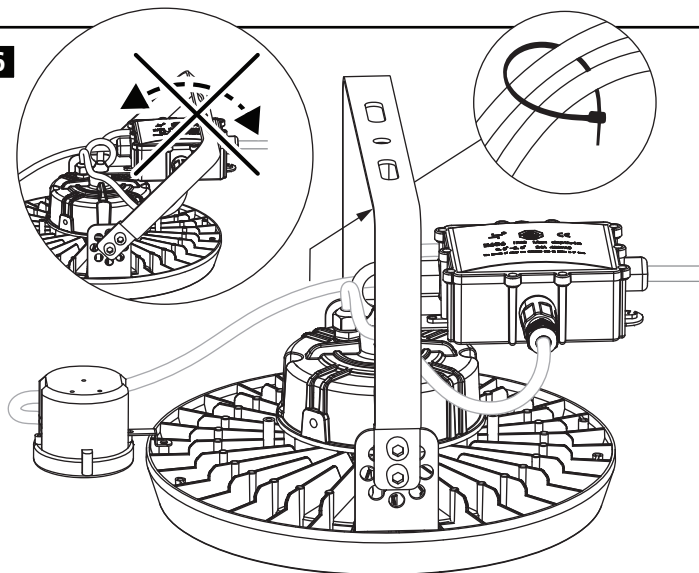


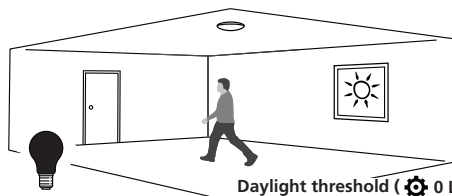
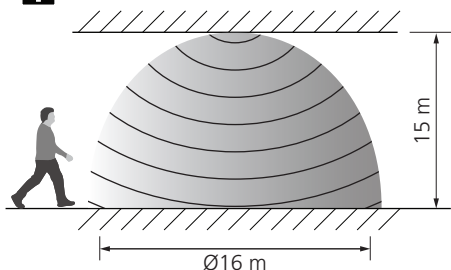
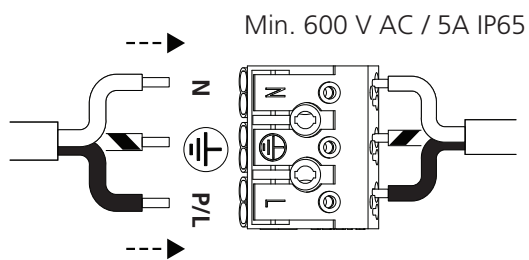
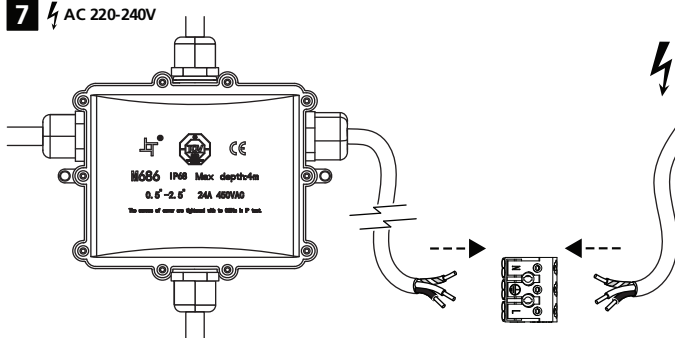
5



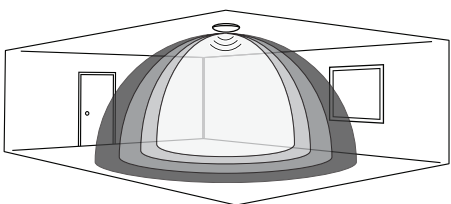
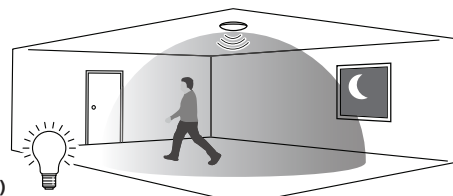
6



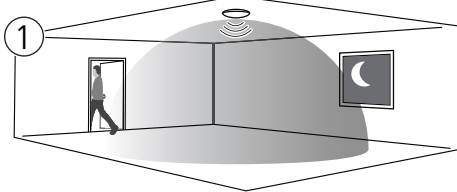
7 ⚡ AC 220-240V



Daylight threshold (⚙️ 0 Lux)
 2 Lux / 10 Lux / 30 Lux / 50 Lux /
 80 Lux / 120 Lux / 0 Lux

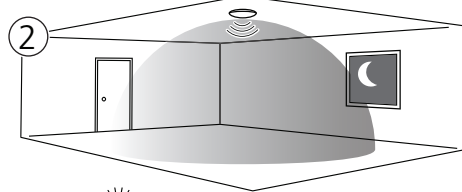


Detection area (⚙️ 100%)
 25 / 50 / 75 / 100%



100%
 Stand-by dimming level (⚙️ -)
 10 / 20 / 30 / 50%

Hold-time (⚙️ 20 min)
 5 s / 30 s / 1 min / 5 min /
 10 min / 20 min / 30 min



10 / 20 / 30 / 50%
 Stand-by time (⚙️ 0 s)
 0 s / 10 s / 30 s / 1 min /
 5 min / 10 min / 30 min / +∞

